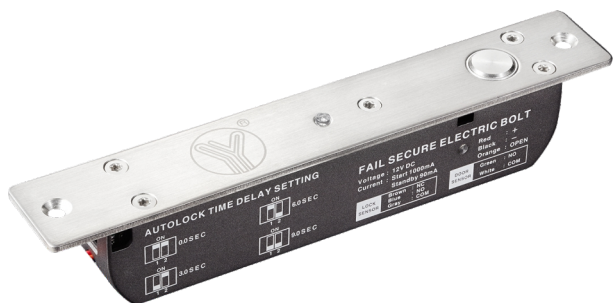


YB-700A(LED)

Fail safe electric bolt W/signal, time,& open wire

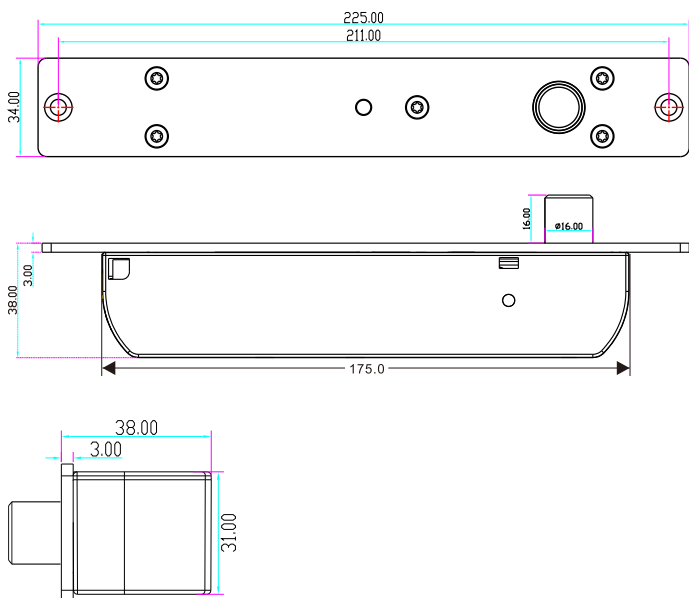
Product overview

YB-700A (LED) is an all-metal construction electric bolt with 304 stainless steel solid bolt and 2000kg holding force. It can work at the temperature of 60 °C or 20 °C below zero based on the all-metal linkage parts. With the multiple designs of durable solenoid valve, special photoelectric control system, ultra-low temperature and power consumption design, vandal resistant circuitry and auto-detective circuitry, YB-700A (LED) is suitable for heavy duty doors and other places needed strict security requirements.

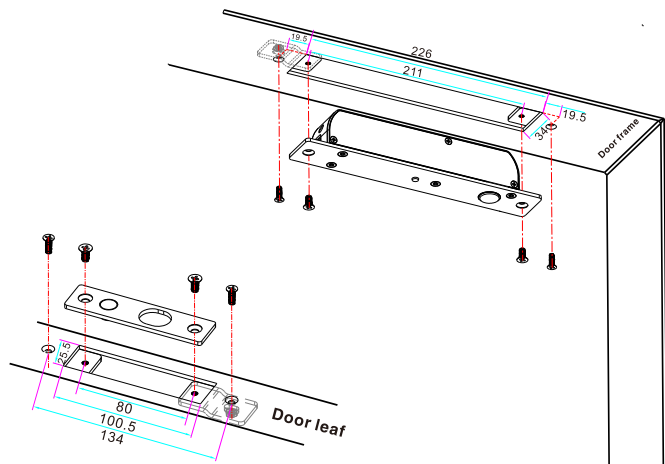


Dimensions

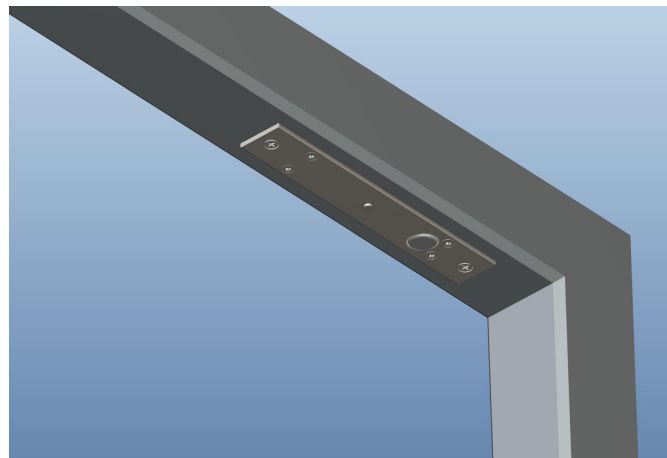
Unit: mm



Installation dimension



Installation diagram



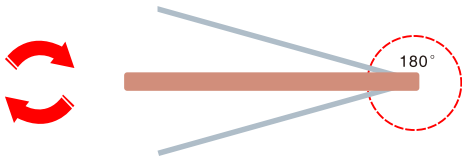
Parameter/Model	YB-700A(LED)
Parameter	Description
Fail safe	Locked when energized
Dimensions	225Lx34WX38H(mm)
Strike	100Lx25Wx3W(mm)
Bolt	16mmDIA, 304 stainless steel 16mm throw
Voltage	12VDC
Start current	1200mA
Standby current	200mA
Bolt strength	304 stainless steel with polishing finish, 2000kg holding force
Suitable for	Wooden door, Heavy door, metal door
Time delay	0/3/6/9sec
Signal output	Lock signal:NO/NC/COM Door signal:NO/COM
LED	Light on indicates locked; Light off indicates unlocked
Induction distance	Within 8mm
Face place material	304 stainless steel panel with wiredrawing finish
Weight	1.0kg

Shenzhen YLI Electric Lock Co.,Ltd.

Room 1605, Block A, Haisong Building, Tairan 9th Road, Futian District, Shenzhen, China
 TEL:86-755-83489801/02/03/04/05/06 FAX:86-755-83489807
 Website: www.yli.cn E-mail: yli@yli.cn

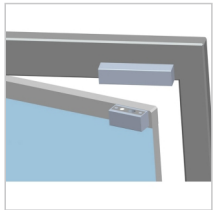
Suitable for double action doors

Electric bolts are specially designed for double action doors. They can also be installed on both inswing doors and outswing doors.

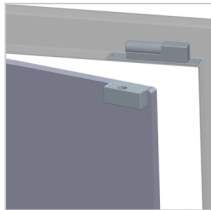


Optional Brackets

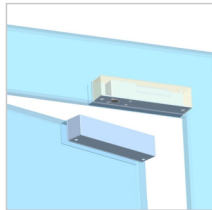
It depends on the types of your doors. We have many kinds of brackets for narrow frame doors, frameless glass doors and in-swing or out-swing doors.



(BBK-500)



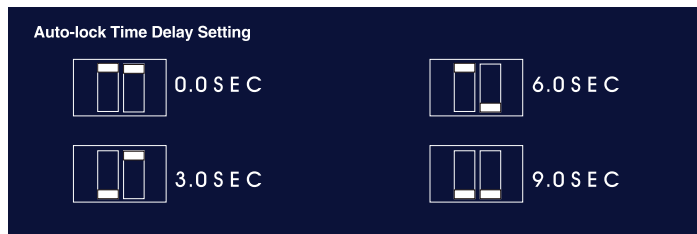
(BBK-601)



(BBK-700)

Auto-lock time delay function

This can be set up from 0 to 9 seconds by adjusting the jumpers.



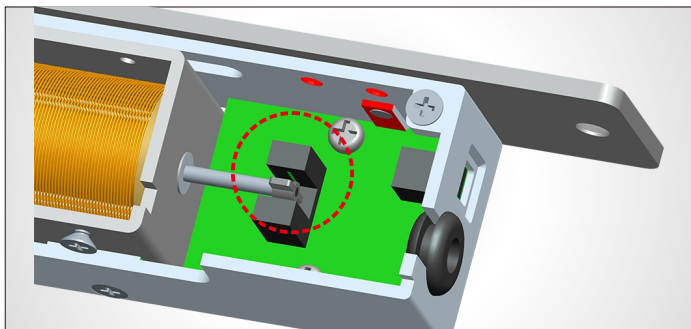
Optional door or lock sensor output

Lock signal:NO/NC/COM Door signal:NO/COM



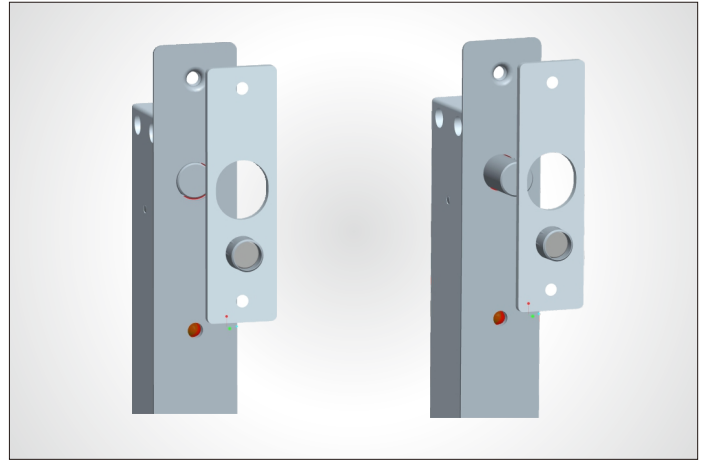
Photoelectric sensor control

Instead of using electric components, we use photoelectric components to make the bolt more stable and durable. at the same time, it can increase the lifetime of the electric bolt.



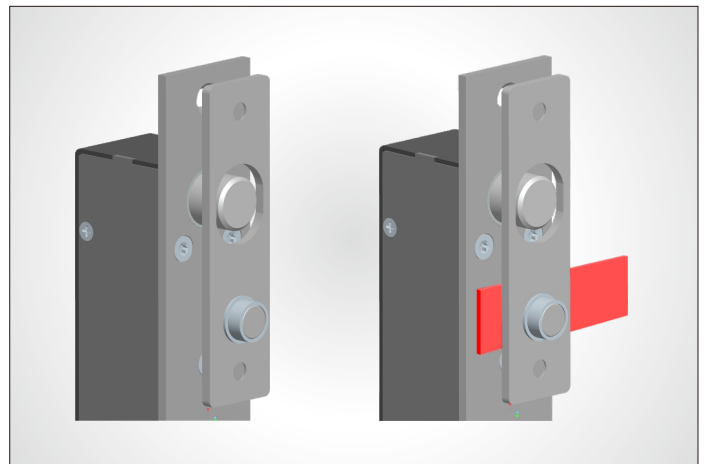
Auto-detective circuitry

This special auto-detective circuit of electric bolt keeps the bolt retracted while the door unlocked or improperly aligned until the door is properly closed.



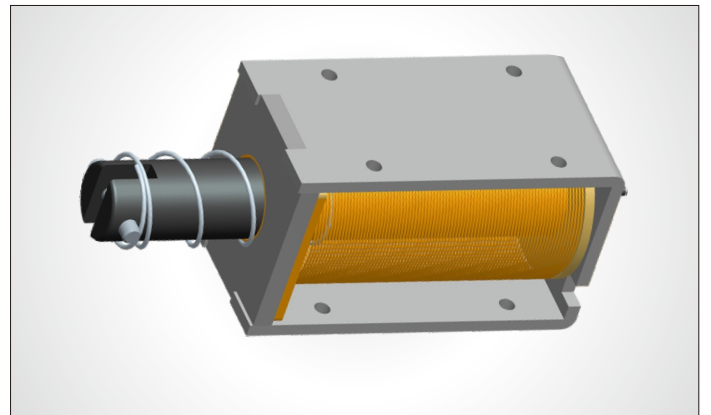
Vandal resistant circuitry

The reed sensor will automatically disconnect when the door is actually closed in order to enhance the security of the lock.



Ultra durable solenoid valve

Tested for over 500,000 times, the specially designed solenoid valve can be used for 5 to 10 years.



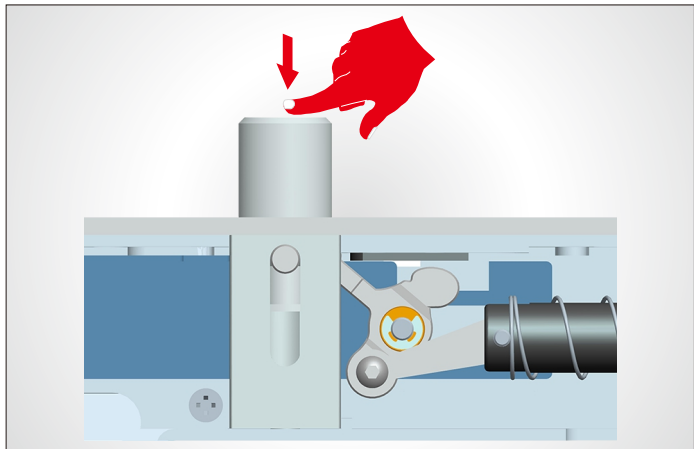
Shenzhen YLI Electric Lock Co.,Ltd.

Room 1605, Block A, Haisong Building, Tairan 9th Road, Futian District, Shenzhen, China
 TEL:86-755-83489801/02/03/04/05/06 FAX:86-755-83489807
 Website: www.yli.cn E-mail: yli@yli.cn



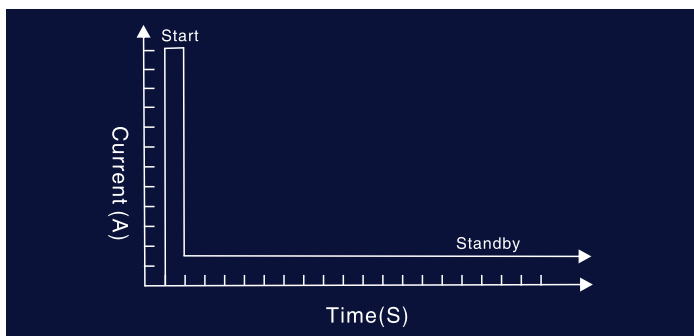
Optional anti-burglar function

When the bolt is extended, it cannot be retracted by the external force without permission.



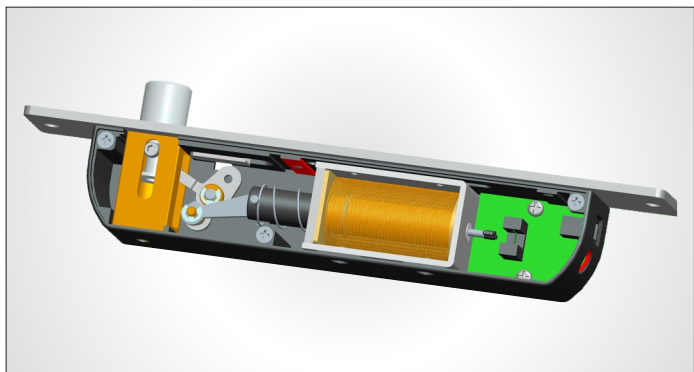
Energy saving design

When the bolt is extended to keep the door locked, it draws only 0.2A in a holding mode down from 1.2A while the bolt is retracted. This design extends the life of the electric bolt.



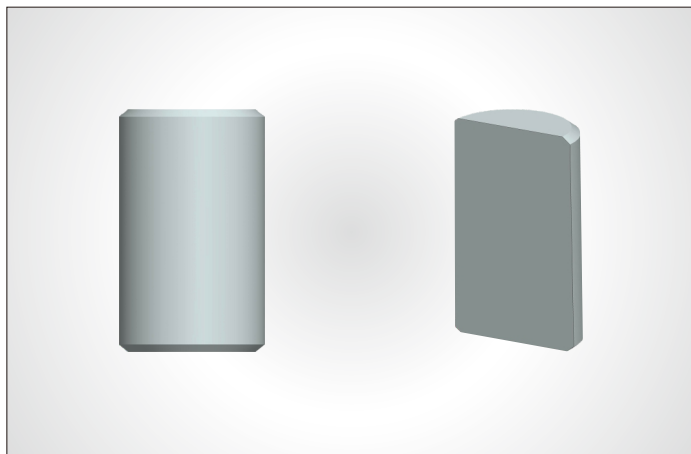
All-metal lock body

The all-metal lock body and components make the lock stronger and more durable, which ensure the lock can work under the harsh environment. (Can order the lock work at the temperature of 60 °C or 40 °C below zero.)



304 stainless steel solid bolt

With 304 stainless steel solid bolt, the electric bolt has 2000kg holding force. It is stronger and more durable under the harsh environment.



Connecting instructions

With the special auto-detective circuit, we advise you to connect our own open wires to open the door instead of shutting off the power directly.

Red	+	12V DC	
Black	-		
Orange	OPEN	} Button contact	
Blue	NO		
Brown	NC	} Door signal	
Gray	COM		

Shenzhen YLI Electric Lock Co.,Ltd.

Room 1605, Block A, Haisong Building, Tairan 9th Road, Futian District, Shenzhen, China
 TEL:86-755-83489801/02/03/04/05/06 FAX:86-755-83489807
 Website: www.yli.cn E-mail: yli@yli.cn

